

# B16 Low Dome ECE R65 LED BEACON



## FEATURES

- Certified powerful ECE R65 performance in all colour.
- Aero-dynamic Smooth dome lens for best appearance.
- Low profile design with only 88mm in height.
- Multiple mounting styles for all vehicle applications.
- 12~24VDC operation.
- Non-volatile flash pattern memory.
- Multit-units synchronization in simultaneous or alternating flash.
- 100,000 hours rated Long-Life LED.
- Reverse polarity protection.
- Weatherproof and shockproof capability for all environment.

## SPECIFICATIONS

**Compliance:** ECE R65 (TA1, TB1, TR1); ECE R10; SAE J845; CA13; IPX5

**Operating Voltage:** 12~24VDC

**No. of Warning Pattern:** 11 Flash Patterns

**LED Element:** High-power LED x 8 pcs

**Avg. Current:** 1.2A @12.8VDC / 0.7A @24VDC  
(varies by flash pattern)

**Max. Current:** 2.4A @12.8VDC / 1.3A @24VDC

**Avg. Power:** 15W (varies by flash pattern)

**Max. Power:** 30W

**Wire:**

### Magnetic Mount

- Single button cigar-plug: 300cm / 118.11in
- ISO 4165 "Euro" plug: 250cm / 98.42in

### Permanent Mount

- Red-Vcc : 40cm / 15.74in (20AWG)
- Black-GND: 40cm / 15.74in (20AWG)
- Yellow-Flash Pattern & Sync: 40cm / 15.74in (20AWG)
- White-Phase: 40cm / 15.74in (20AWG)

**Fuse Rating:** 5A

**Synchronization:** Up to 4 units

**Storage Temp.:** -40°C to +75°C

**Operating Temp.:** -30°C to +65°C

**LED Colour:** Red, Blue, Amber

**Lens Colour:** Red, Blue, Amber, Clear

## PART NO.

- **B016-1x231-000** ECE R65, AMBER LED, AMBER LENS (TA1)
- **B016-1x232-000** ECE R65, BLUE LED, BLUE LENS (TB1)
- **B016-1x234-000** ECE R65, RED LED, RED LENS (TR1)
- **B016-1x73C-000** ECE R10, AMBER LED, CLEAR LENS
- **B016-1x131-000** SAE AMBER LED, AMBER LENS (W3-1, CA13)
- **B016-1x132-000** SAE BLUE LED, BLUE LENS (W3-1, CA13)
- **B016-1x134-000** SAE RED LED, RED LENS (W3-1, CA13)

Mounting Style - replace x with the following:

- 1 = 3-Bolt Mount
- 2 = Magnetic Mount (Straight cord with single button cigar-plug)
- 3 = DIN Pole Mount
- 4 = Magnetic Mount (Coiled cord with ISO4165 "Euro" plug)
- 5 = Power Magnetic Mount\* (Straight cord with single button cigar-plug)
- 6 = Power Magnetic Mount\* (Coiled cord with ISO4165 "Euro" plug)
- 9 = Ø18MM Pole Mount (Off-centred cable-out)
- A = Ø36MM Pole Mount (Centred cable-out)
- B = Telescopic Pole Mount (2 wire cable-out)

\*Power Mag is rated to 250km/hr (Actual performance may depend on the circumstance)

## FLASH PATTERN

FLASH PATTERN					
1	Double	[R65]	7	Quint	[SAE]
2	Single	[2Hz]	8	Mega	
3	Quad	[2Hz]	9	Ultra	[SAE]
4	Single	[SAE, CA13]	10	Single-Quad	
5	Double	[SAE]	11	Single H/L	
6	Quad	[SAE]			

\*Actual approval is based on the model ordered.

## ACCESSORIES

### 99-B016M0X-000

Motorcycle Telescopic Pole



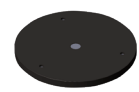
### 99-B016M00-000

B16 Branch Guard



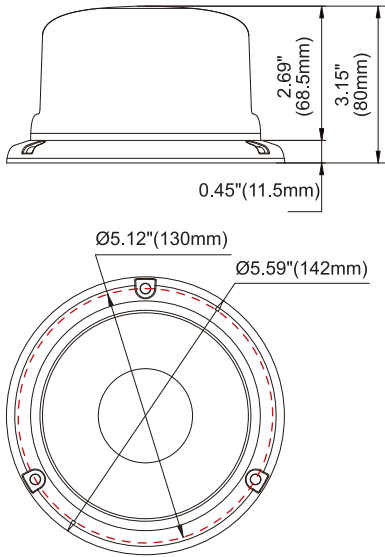
### 99-B016X00-000

B16 Power Magnetic Rubber Base

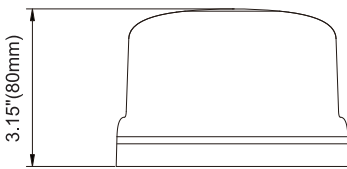


## DIMENSIONS

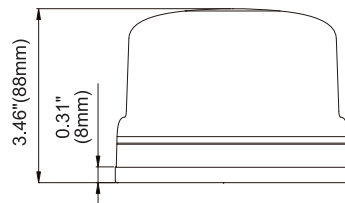
### 3-Bolt Mount



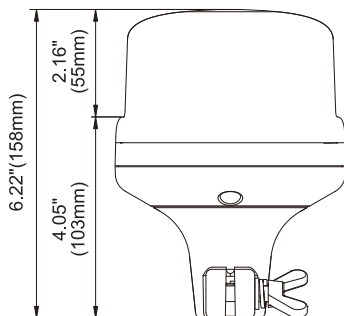
### Magnetic Mount



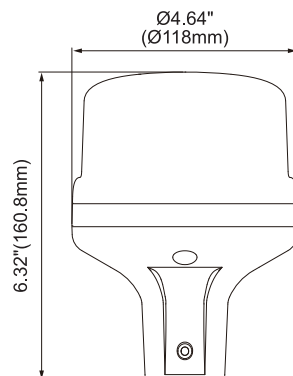
### Power Magnetic Mount



### DIN Pole Mount



### Ø18|Ø36MM Pole Mount



### Telescopic Pole Mount

